

2.1 Connections overview

Application Manual

www.pinetek-networks.com

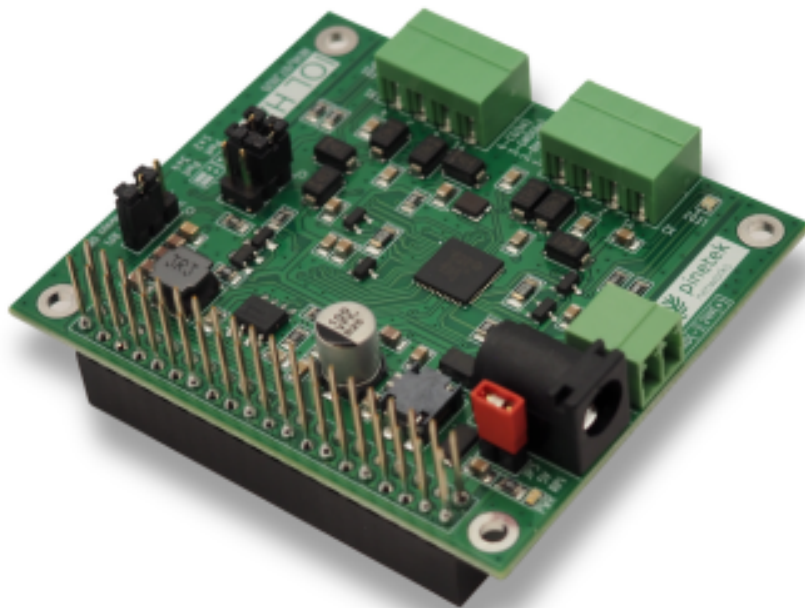
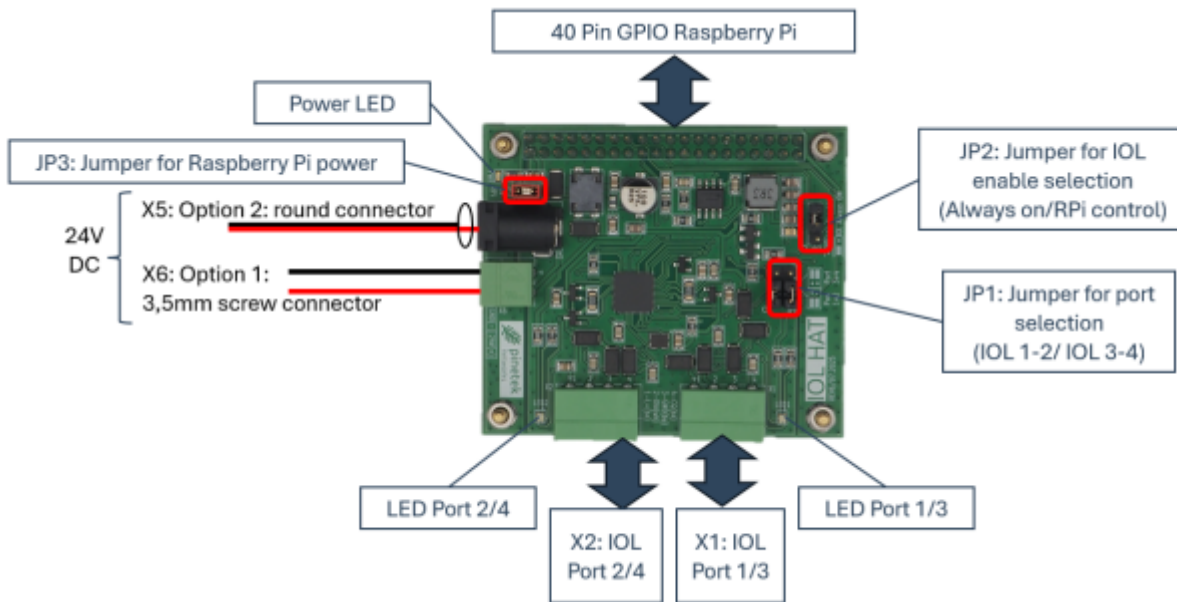


Table of Contents

2.1 Connections overview 5

2.1 Connections overview

The following image provides an overview on the available connections and interfaces:



All logic signals (SPI, interrupts) on the 40-pin GPIO operate on 3V3 logic levels.